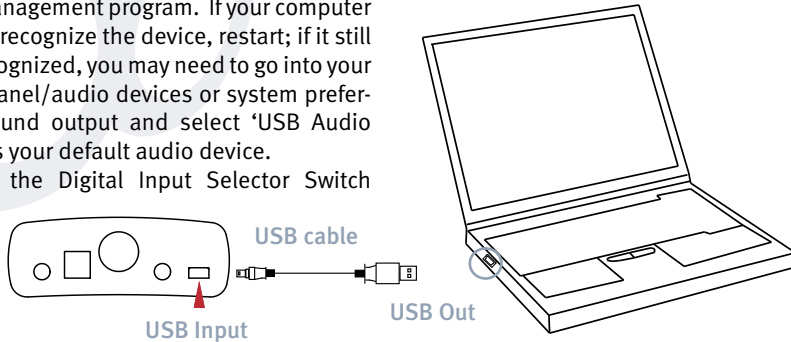


Connecting to your Computer:

The most convenient and common way to get a high quality signal out of your computer is with USB output. (If you have optical or coaxial outputs on your machine, then skip to the next section.) Simply plug a USB cable into your computer, and plug the smaller end into the back of the amp. In most cases your computer will instantly recognize the amplifier, but you will need to restart your music management program. If your computer does not recognize the device, restart; if it still is not recognized, you may need to go into your control panel/audio devices or system preferences/sound output and select 'USB Audio Codec' as your default audio device.

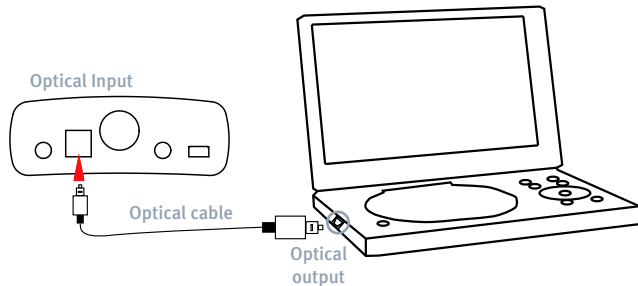
- Switch the Digital Input Selector Switch to 'USB'.



To a portable DVD player with Optical Output:

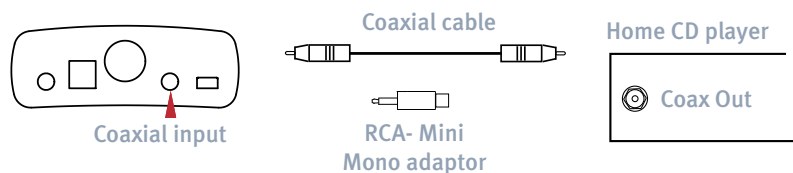
You will need an appropriate optical cable, visit headphone.com to purchase a cable. Plug one end into your source and connect the other end into the appropriate input on the back of the amp. (Some DVD players may require you to turn on or activate the optical output.)

- Switch the Digital Input Selector Switch to 'optical'.



To a Home CD player with a Coaxial output:

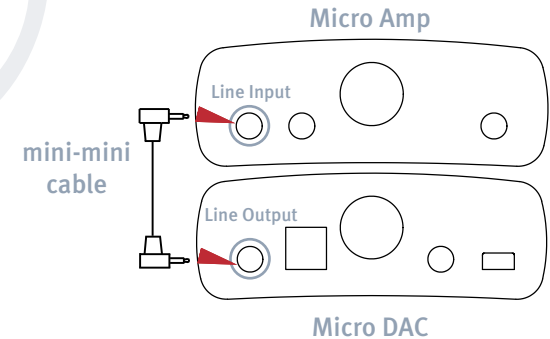
You will need an appropriate coaxial cable, visit headphone.com to purchase a cable. Plug one end into your source and connect the other end into the appropriate input on the back of the amp. If your Coaxial cable is a standard size, you will need a mini adaptor that adapts a full size coaxial connector to a mini size, they are available for purchase on HeadRoom website, and are called *RCA-Mini Mono adaptor*.



Connecting Micro DAC to Micro Amp:

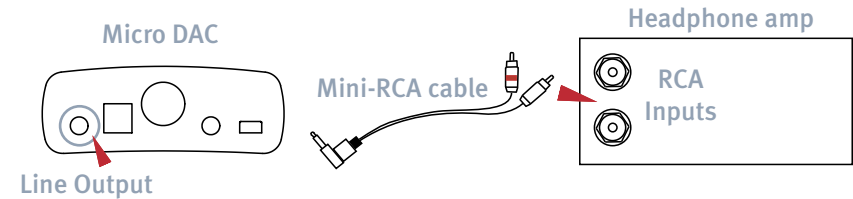
Your Micro DAC should be used with a headphone amp to properly drive your headphones with authority. HeadRoom's Micro Amp or Ultra Micro Amp is designed to be used with the Micro DAC, but any amplifier with a line input will follow these same instructions.

Plug the mini-to-mini cable into the line input of the Amp and line output of the DAC.



Connecting Micro DAC to Amp with RCA Inputs:

If you are using a different amp that has a line input, simply follow the instructions above. If you are using a headphone amp that provides RCA inputs, then you will need a mini-RCA cable. Plug the mini end into the output of the Micro DAC, and RCA inputs into the back of the amp (as always, red or 'R' denotes right channel).



Connecting headphones to Micro Amp:

You can connect any 1/8" (mini) headphone plug into the headphone output of your Micro Amp. (An adaptor is needed if your headphones are terminated to a 1/4" plug.)

